

## DISASSEMBLY

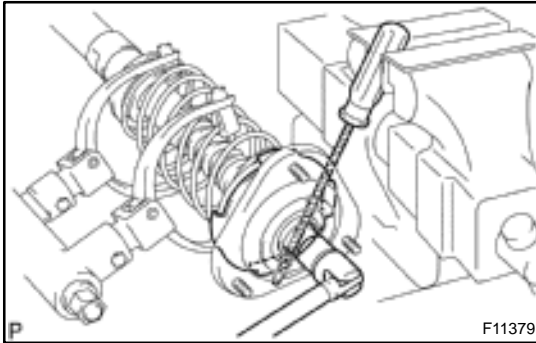
### REMOVE COIL SPRING

- (a) Using SST, compress the coil spring.  
 SST 09727-30021 (09727-00010, 09727-00021,  
 09727-00031)

#### NOTICE:

**Do not use an impact wrench. It will damage the SST.**

- (b) Remove the cap.



- (c) Using a screwdriver to hold the spring seat, remove the nut.

#### HINT:

Tape the screwdriver before use.

#### NOTICE:

**Be careful not to damage the spring seat.**

- (d) Remove the suspension support, dust seal, spring seat, upper insulator, coil spring and spring bumper.